

## TGS 826 - for the Detection of Ammonia

### Features:

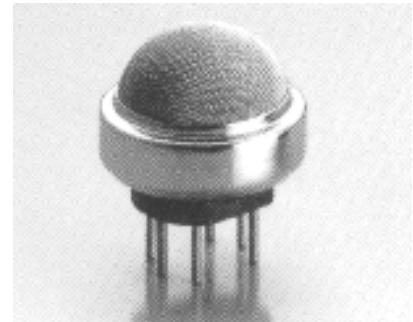
- \* High sensitivity to ammonia
- \* Quick response to low concentrations of ammonia
- \* Uses simple electrical circuit
- \* Ceramic base resistant to severe environment

### Applications:

- \* Ammonia leak detection in refrigerators
- \* Ventilation control for the agricultural and poultry industries

The sensing element of TGS826 is a metal oxide semiconductor which has low conductivity in clean air. In the presence of a detectable gas, the sensor's conductivity increases depending on the gas concentration in the air. A simple electrical circuit can convert the change in conductivity to an output signal which corresponds to the gas concentration.

The TGS826 has high sensitivity to ammonia gas. The sensor can detect concentrations as low as 30ppm in the air and is ideally suited to critical safety-related applications such as the detection of ammonia leaks in refrigeration systems and ammonia detection in the agricultural field.



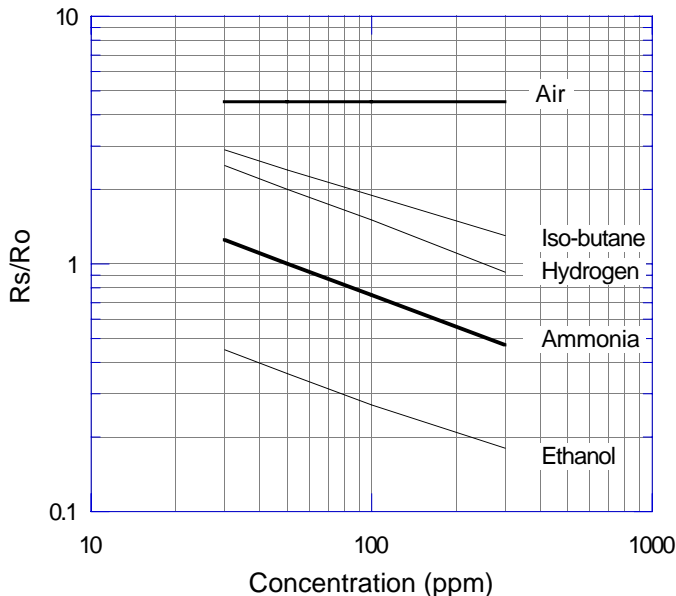
The figure below represents typical sensitivity characteristics, all data having been gathered at standard test conditions (see reverse side of this sheet). The Y-axis is indicated as *sensor resistance ratio* ( $R_s/R_o$ ) which is defined as follows:

- $R_s$  = Sensor resistance of displayed gases at various concentrations
- $R_o$  = Sensor resistance at 50ppm of ammonia

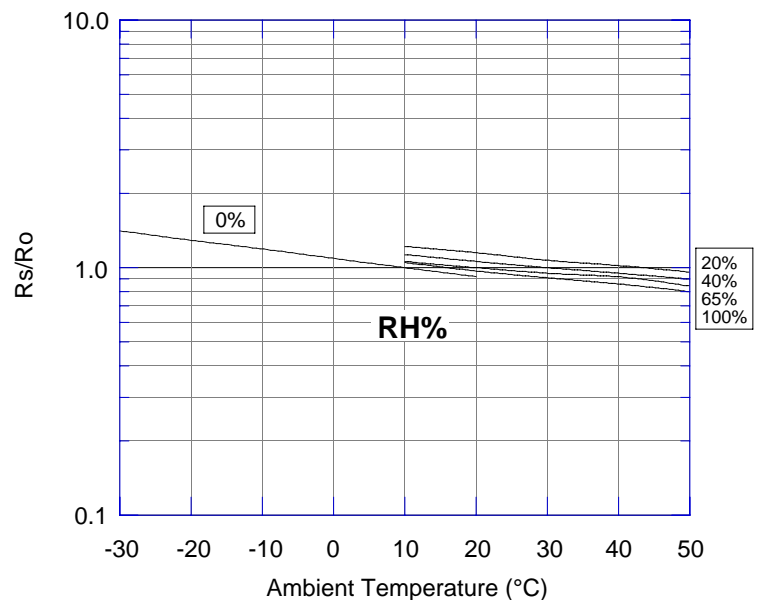
The figure below represents typical temperature and humidity dependency characteristics. Again, the Y-axis is indicated as *sensor resistance ratio* ( $R_s/R_o$ ), defined as follows:

- $R_s$  = Sensor resistance at 50ppm of ammonia at various temperatures/humidities
- $R_o$  = Sensor resistance at 50ppm of ammonia at 20°C and 65% R.H.

### Sensitivity Characteristics:

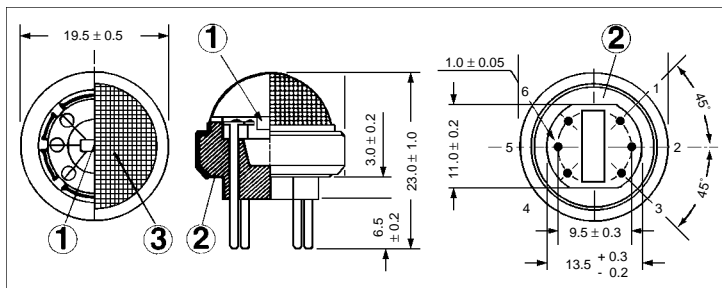


### Temperature/Humidity Dependency:



**ApolloSense Ltd**

## Structure and Dimensions:



- ① Sensing Element:  
Metal oxide is sintered to form a thick film on the surface of an alumina ceramic tube which contains an internal heater.
- ② Sensor Base:  
Alumina ceramic
- ③ Flame Arrestor:  
100 mesh SUS 316 double gauze

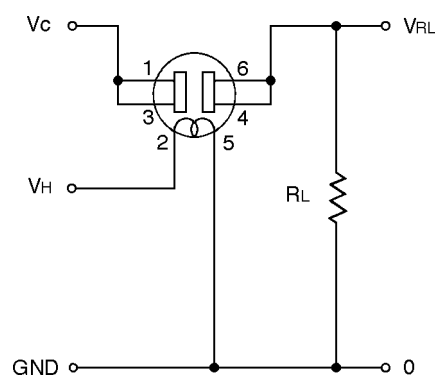
## Pin Connection and Basic Measuring Circuit:

The numbers shown around the sensor symbol in the circuit diagram at the right correspond with the pin numbers shown in the sensor's structure drawing (*above*). Since the sensor has a polarity, DC voltage is always required for circuit voltage (*a white dot indicates pin 2*). When the sensor is connected as shown in the basic circuit, output across the Load Resistor ( $V_{RL}$ ) increases as the sensor's resistance ( $R_s$ ) decreases, depending on gas concentration.

## Specifications:

Model number		TGS 826	
Target gases		Ammonia	
Typical detection range		30 ~ 300 ppm	
Standard circuit conditions	Heater Voltage	$V_H$	5.0±0.2V DC/AC
	Circuit voltage	$V_C$	Max. 24V (DC only)   $P_s \leq 15mW$
	Load resistance	$R_L$	Variable   $P_s \leq 15mW$
Electrical characteristics under standard test conditions	Heater resistance	$R_H$	30±3Ω at room temp.
	Heater current	$I_H$	167mA
	Heater power consumption	$P_H$	833mW   $V_H = 5.0V$ DC
	Sensor resistance	$R_s$	20~100kΩ in 50ppm ammonia
	Sensitivity (change ratio of $R_s$ )		0.55 ± 0.15   $\frac{R_s(150ppm)}{R_s(50ppm)}$
Standard test conditions	Test gas conditions	Ammonia in air at 20±2°C, 65±5%RH	
	Circuit conditions	$V_C = 5.0±0.01V$ DC $V_H = 5.0±0.05V$ DC $R_L = 33kΩ±1%$	
	Conditioning period before test	7 days	

## Basic Measuring Circuit:



Pin #2 is indicated by a white dot on the sensor's base.

Sensor Resistance ( $R_s$ ) is calculated by the following formula:

$$R_s = \left( \frac{V_C}{V_{RL}} - 1 \right) \times R_L$$

Power dissipation across sensor electrodes ( $P_s$ ) is calculated by the following formula:

$$P_s = \frac{V_C^2 \times R_s}{(R_s + R_L)^2}$$

**Special Note:** A more narrowly defined range of  $R_s$  or  $R_s/R_o$  will be indicated on each production lot (see Appendix). Preselected ranges of  $R_s$  or  $R_s/R_o$  are not available.

## ApolloSense Ltd

Shenzhen:

Address : Room 712, Huaneng Building, Shennan Zhong Road, Shenzhen 518031, China

Tel : ( 86-755 ) 83680810 83680820 83680830 83680860

Fax : ( 86-755 ) 83680866

Hong Kong:

Address : Unit 1502, Hollywood Plaza, 610 Nathan Road, Mong Kok, Kln., H.K.

Tel : (852) 2737 0903

Fax : (852) 2737 0938

Email : sales@apollosense.com