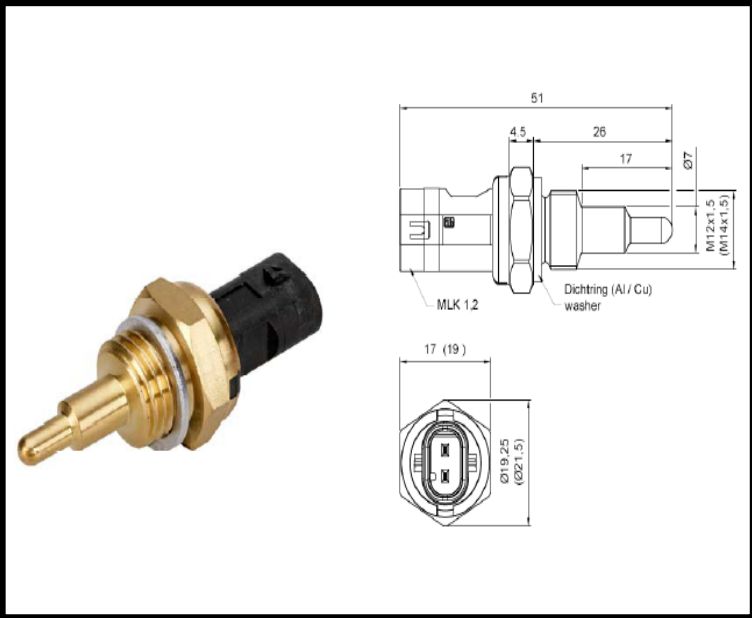


**94082**



**Benefits**

The SSTS-9408 is a sturdy designed temperature sensor, that has proven sealing concepts, fast response times and they are 100% tested in production.

**Applications**

These sensors are suitable in a wide range of coolant, motor oil, fuel and liquid applications.

**ELECTRICAL AND MOUNTING SPECIFICATIONS**

Nominal Resistance	2.251 Ohm (25°C)*
Temperature Range	-40°C to +155°C
Time of Response	T90 < 10s (water)
Thread	M12x1.5
Connector	MLK 1.2
Sealing Ring	Al/cu
Protection Range	IP6K9K
Product Code	94082

\*Other resistant values on request

**General Note:** SST Sensing Ltd reserves the right to make changes in product specifications without notice or liability. All information is subject to SST's own data and considered accurate at time of going to print.

**WARNING:**  
It is the customers responsibility to ensure that this product is suitable for use in their applications. For technical assistance or advice, please call us on +44(0)1698 740640 or email us: [info@sstsensing.com](mailto:info@sstsensing.com)