

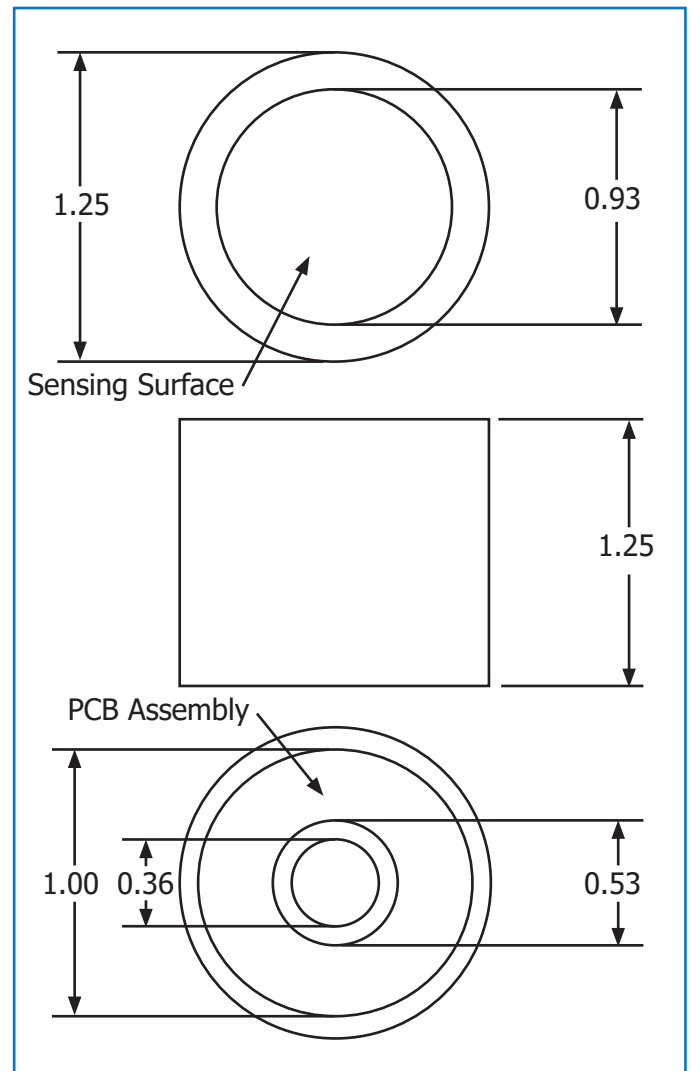
### Electrochemical Galvanic Fuel Cell Trace Oxygen Sensor



Measures Oxygen From 0.01 PPM to 25.0%  
 Electrochemical Fuel Cell Sensor Technology  
 Self-Contained, No Need To Add Electrolyte  
 Excellent Stability, Performance & Linearity  
 Continuous And Spot Checking Analysis

#### Specifications:

Sensor Technology	Micro Fuel Cell
Signal Output <sup>1</sup>	285 - 590 uA
Measuring Range	0 - 10 PPM (Min) 0-10000PPM(Max)
Response Time T90	13 Seconds
Accuracy Full Scale <sup>2</sup>	± 1% of Signal
Repeatability F.S.	± 0.5%
Temp Coefficient	2.54 % / °C
Operating Temp	0 to 50 °C
Storage Temp	0 to 45 °C
Recommended Flow	0.5 - 5 SCFH
Humidity	0 - 100% RH (Non-Condensing)
Expected Life <sup>3</sup>	24 Months
Storage	12 Months
Warranty <sup>4</sup>	12 Months
PCB Connection	Center Foil Negative Outer Foil Positive



1. Signal Output is measured in air at 25 °C, Sea Level.
2. Full Scale Accuracy is calculated with constant pressure, temperature, and proper calibration (80% O<sub>2</sub> Value on Full Scale Range or a range higher). Drastic Temperature change can result in a maximum error of ± 10%.
3. Expected life is calculated when O<sub>2</sub> < 1000 ppm @ 25 °C, Sea Level.
4. Southland Sensing Ltd. warranties the sensors for the period noted above to be free from defects in materials and workmanship. SSO2 will not be held liable for sensors damaged due to customer neglect.
4. Southland Sensing Ltd. sensors are tested and validated to BSI Standard BS EN 50104:2010

深圳市新世联科技有限公司